



THE PRODUCT

You can hardly present your communication and network components in a more attractive way.

The new DIATEC is an attractive eye-catcher in your direct living and working environment. But this innovative range of cases also offers many functional benefits.

All details are designed to match each other perfectly. Depending on requirements, different equipment options and connections are possible.

YOUR ADVANTAGE

Modern, flat enclosure design, ideal for table top and wall mounting applications.

Plain, recessed area on the bottom part for installation and protection of interfaces, screwed cable glands, plug-in connections etc.

Easy, invisible wall mounting.

Recessed operating area for the protection of the membrane keyboards and operating elements.

Hinged lid in case color or transparent for covering the dialogue zone as accessory.

Alternatively without/with battery operation for 2 x 1.5 V mignon-cells (AA) or 1 x 9 V flat battery.

Separate slot-in panels can be used as interior partitions, for example to guard the electronics when changing batteries.

APPLICATIONS

Systems for data collection on the job.

Access and security controls. Peripheral equipment for computers, data system engineering.

Measuring and controlling.

Medical field and laboratory technology.

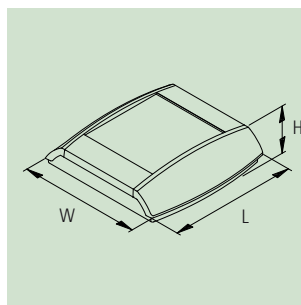
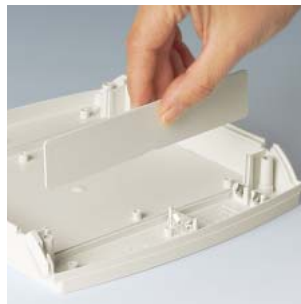
PROTECTION CLASS IP 40

MAX. SIZE OF PCB

DIATEC	L x W in inches	
	bottom part	top part
S	4.724 x 7.087	4.724 x 7.087
M	7.087 x 7.087	7.087 x 7.087



Off-white, RAL 9002
Lava, NCS S 7502-B



INFO-BOX

Innovative technology

The bottom part can be mounted directly on the wall. It is secured either using elongated holes or by the corners of the case.

A particular advantage is the separation of the electronics area using optional slot-in panels. This allows the complete pre-assembly of the electronics unit. The technician on site only has to mount the unit on the wall and connect up the relevant leads. Connection can be effected from the left and/or from the right-hand side. The actual case does not have to be opened to do this, only the snap-on side trims. If required, the trims can also be locked, thus preventing unauthorized access.



ENCLOSURES*1

DIATEC	Outside dim. in inches			Equipment (dim. in inches) max. dim. keypad	Material	Part-No.	
	L	W	H			off-white	lava
S	7.874	8.268	1.890	5.024 x 4.713	ABS (UL 94 HB)	A 90 93 107	A 90 93 108
M	7.874	10.630	1.890	5.024 x 7.071	ABS (UL 94 HB)	A 90 94 107	A 90 94 108

ACCESSORIES

Article	For DIATEC Size (case color)	Version / Application	Part-No.		
			ABS, case color*2	PC, translucent*3	PC, clear*3
① Hinged lid	S (off-white)	2 mounting holes \varnothing 0.165 inch necessary, 1 set	A 91 93 127	A 91 93 121	A 91 93 131
	S (lava)	2 mounting holes \varnothing 0.165 inch necessary, 1 set	A 91 93 128	A 91 93 122	A 91 93 132
	M (off-white)	2 mounting holes \varnothing 0.165 inch necessary, 1 set	A 91 94 127	A 91 94 121	A 91 94 131
	M (lava)	2 mounting holes \varnothing 0.165 inch necessary, 1 set	A 91 94 128	A 91 94 122	A 91 94 132
② Slot-in panel	S, M	ABS, off-white, 6.142 x 2.362 x 0.118 inch, 1 pc	A 91 94 007		
③ Set of battery clips	S, M	tin-plated, for 2 x 1.5 V mignon cells (AA)	A 91 90 002		
④ Plug-in contact	S, M	for one 9 V flat battery	A 91 60 003		
⑤ Non-slip pads	S, M	transp., self-adhesive, ensure reliable desk-top positioning, 1 pair	A 92 12 330		
⑥ Self-tapping screw	S, M	\varnothing 0.118 x 0.236 inch, for mounting PCBs, 1 pc	A 03 06 031		



*1 supply: each 1 bottom and top part, each 1 trim left and right side incl. 2 locking elements, assembly kit

*2 in the relevant case color

*3 fasteners from the assembly set in the case color in question

NEW PRODUCT